

RECIRCULATING LOOP CHILLERS



TYPICAL CHILLER

APPLICATIONS

- | | |
|-------------------|----------------------|
| Jacket Cooling | Computers |
| Lasers | Power Supplies |
| Induction Heaters | Vacuum Ovens |
| Machine Tools | Injection Molding |
| Welders | Plasma Spraying |
| MRI Equipment | Linear Accelerators |
| CAT Scans | Electron Microscopes |

FEATURES

Energy Saving Design

Unlike most process chillers, compressor runs only as needed. Storage design provides close temperature control and safety from freeze-up without constant operation.

Complete Temperature Control

Temperature adjustable within a range of 40° to 90°F [5° to 32°C] and will hold temperature within ±1.5°F [1°C] of setting. [±0.5°F optional]

Welded Stainless Steel Cooling Tank

Recirculates clean coolant sealed from the atmosphere, eliminates bacterial build-up and internal corrosion.

Uses HFC Refrigerant

Eliminates use of ozone-depleting refrigerant as per Montreal Protocol.

Unlimited Options

Design the perfect cooling system for any application. Over 50 options to meet almost any special need. See *bulletin O & A*.

LIFETIME WARRANTY - Consult factory for details.

ONE YEAR WARRANTY - All parts covered FOB jobsite for [12] months from start-up date or [15] months from date of shipment - whichever comes first. Consult factory for details.

START-UP and FIRST YEAR SERVICE - Filtrine can arrange start-up and first year service on all parts and labor. To help prevent costly down-time, regular maintenance is available on a contractual basis. Consult factory for details.

MODELSPCP or POC-200

WELDED HERMETIC MODELS

DESCRIPTION

Recirculating chillers recirculate a clean coolant at constant temperature and pressure to increase the stability and consistency of water cooled machines and instruments. Air cooled chillers eliminate the use of tap water and prevent clogging and corrosion of small diameter heat exchangers due to rust and scale build-up.

- **PCP -Closed Loop Chillers** - Use a storage type cooling tank, with immersion coil evaporator, to provide close temperature control of recirculating coolants. The tank is sealed to prevent coolant evaporation and fouling, and supplied with a liquid level gauge, fill port and clean out. The pump recirculates coolant at constant pressure and flow, which is adjustable by turning a manual bypass valve.
- **POC - Open Loop Chillers** - Pump liquid from an open tank or sump, through the chiller and back to the sump. An adjustable thermostat senses the make up liquid temperature, cycling the chiller to insure constant temperature in the sump.

SPECIFICATIONS

COOLING CAPACITY @ 68°F [20°C] DISCHARGE & 90°F [32°C] AMBIENT			
MODEL	BTU / HR	WATTS	FLA @ 208-230/460
PCP or POC-200-24	24,000	7,082	10/5
PCP or POC-200-27*	27,000	7,911	12/6
PCP or POC-200-30	30,000	8,790	13/7
PCP or POC-200-33*	33,000	9,889	15/8

NOTE: FLA may vary depending on options. See MCA and MOP ratings on as-built unit.

COMPRESSOR: HP2

Lifetime lubricated, scroll type supplied with high/low pressure stat, anti-migration solenoid valve, head and suction gauges, thermostatic expansion valve, refrigerant sight glass and dehydrator.

STANDARD CONDENSERS [Designated by suffix]

- **A** Fan cooled condenser for indoor installation.
- **AR** Remote Air cooled condenser furnished separately for mounting on roof.
- **W** Water cooled condenser for hookup to city or tower water
- **A-WP** Self-contained air cooled condenser; complete unit made weather-resistant for outdoor installation.

COOLING TANK & EVAPORATOR: Capacity20 Gal. [76 L]

Welded stainless steel shell and immersion coil evaporator. Tank tested at 250# for 125# working pressure. Supplied with liquid level gauge and insulated with closed cell thermo-elastomer with an R factor of 3.7.

PUMP: HP 1/2

Capacity 15 GPM [57 LPM] @ 20 PSI
All bronze centrifugal pump mounted on rubber pads over a stainless steel condensation tray and supplied with unions and service valves and manually adjustable bypass valve. All piping and fittings brass, copper, or bronze and insulated with closed cell thermo-elastomer with an R factor of 3.7.

THERMOSTAT: Adjustable Range 40° to 90°F [5° to 32°C]

Temperature Stability ±1.5°F [1°C]

CABINET: Enameled aluminum panels [removable for access to all components] with stainless steel corner legs and top on a welded angle iron frame.

SUPPLY POWER: 208-230/60/1, 208-230/60/3, 460/60/3

PLUMBING CONNECTIONS IN & OUT 3/4" [19mm] FPT

CHILLER DIMENSIONS & WEIGHTS

FILTRINE MODEL NUMBER	W		D		H		SHIP WT	
	in	cm	in	cm	in	cm	lb	kg
PCP or POC-200-A	48	122	27	69	45	114	700	315
PCP or POC-200-W	48	122	27	69	45	114		
PCP or POC-200-AR	48	122	27	69	45	114		
PCP or POC-200-WP	48	122	27	69	48	122		
PCP or POC-200-WP-LP*	70	179	59	150	30	72		
PCP or POC-200-A-SSD**	27	69	27	69	74	188		
PCP or POC-200-W-SSD**	27	69	27	69	72	183		
PCP or POC-200-AR-SSD**	27	69	27	69	72	183		

* Low profile, weather-resistant unit for installation on roof
 ** Space saving design

NOTE: Chiller dimensions and shipping wts. may vary depending on options - confirm with factory.

STANDARD OPERATING CONDITIONS

OUTDOOR AMBIENT
 -20° to 100°F [-29° to 38°C]

OPTIONAL OPERATING CONDITIONS

OUTDOOR AMBIENT
 Up to 110°F [43°C]
 Up to 120°F [49°C]
 Down to -30°F [-34°C]

NOTE Higher ambient options may affect unit dimensions.

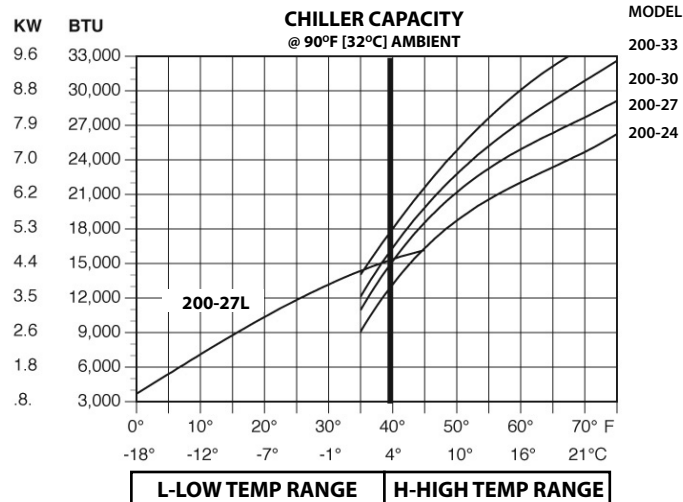
REMOTE CONDENSER

Use w/Standard Models - Furnished complete w/controls for operating in ambient temperatures to minus 20°F [-29°C], consult factory for specs
 Connections for remote condenser are at right end of chiller cabinet.

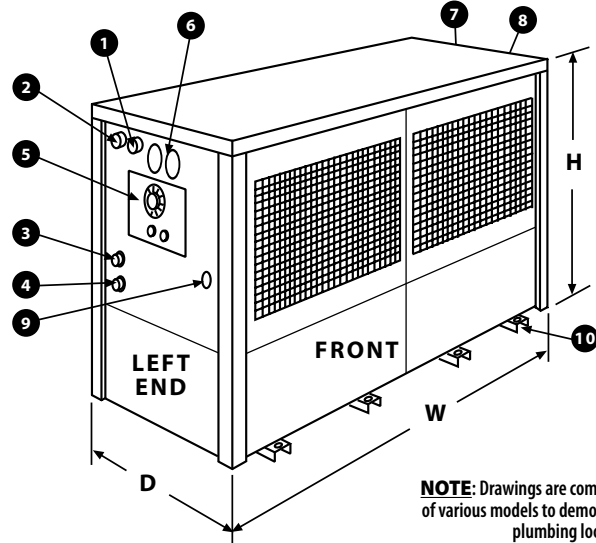
PUMP CAPACITY

MODEL*	GPM @ PRESSURE SHOWN							
	psi	10	20	30	40	60	80	100
	ft	23	46	69	92	138	184	231
STD-1/2C	20	15	8	—	—	—	—	—
OP-3/4C	50	45	30	—	—	—	—	—
OP-1C	55	50	40	20	—	—	—	—
OP-1/2T	8	8	8	8	8	7	6	—
OP-3/4T	13	13	12	12	11	10	8	—

* Standard pump is 1/2HP, centrifugal. Optional pumps [OP] include centrifugal [C] or turbine [T] models. All turbine pumps include an adjustable pressure relief bypass in lieu of a manual bypass valve.

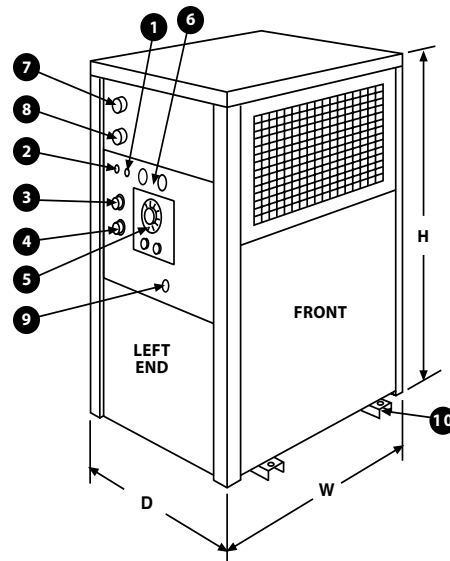


STANDARD MODELS: Suffix A, AR, W & A-WP



NOTE: Drawings are composites of various models to demonstrate plumbing locations. Confirm footprint with factory.

SSD - SPACE SAVING DESIGN MODELS: Suffix A, AR & W [A-WP not available in SSD model]



LEGEND

- Air Vent
- Fill Port
- Coolant Return
- Coolant Discharge
- Control Panel
- Gauges
- To Remote Condenser [AR Models] Condenser Water Out [W Models]
- From Remote Condenser [AR Models] Condenser Water In [W Models]
- Electrical Connection
- Channel Skids

VENTILATION PANELS

Standard models — air intake at rear, air discharge at right end and front on A & WP models. Manufacturer recommends 12 inch minimum clear space opposite all ventilation panels.

REMOVABLE SERVICE PANELS

Front & rear on all models. Manufacturer recommends 36 inch clearance at front for service.

CHANNEL SKIDS

Channel skids project 2" [5cm] front and rear. Allow additional 2" [5cm] to height for channel skids. Center of 5/8" [16mm] mounting holes located 6" [15cm] from chiller end and 1" [2.5cm] from chiller edge front and rear.

NOTE: Information given in this bulletin for general use only. Confirm exact specs with factory for your specific requirements.

